

# G-LHF PVC

**G-LHF PVC corner bead** for creation and protection of corners in drywall construction

**Material:**

- PVC

**Features:**

- Thin profile allows for application of thin layer of compound
- Ramp edges for smooth connection to compound
- Sharp corner for plaster finish
- Thin spot for angle adjustment
- Corner protection against mechanical damage

**Instructions for Use:**

Fasten the bead using staples or position the bead into the suitable putty and apply the compound to the area and over the bead.

Application and shape adjustment must be done at the temperature of at least 10 °C (stabilized temperature of the material). Cutting (trimming) must be done using the dedicated Löwe cutter, on each wing separately.

**Packing, Storage, Transport:**

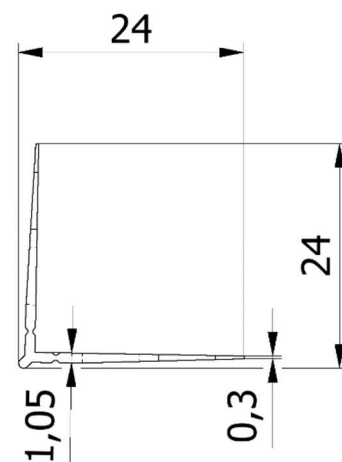
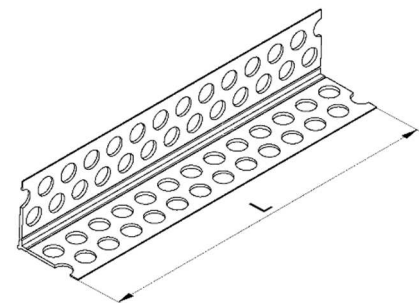
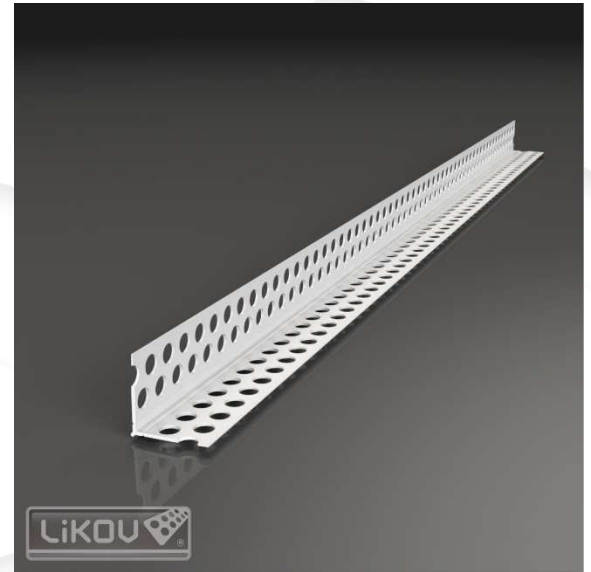
Packed in a paper box. Store and transport in a dry place at the temperature of at least 5 °C, in horizontal position.

**Certification:**

The product is not subject to any harmonized standard.

**Technical Data:**

|                     |                       |
|---------------------|-----------------------|
| Material            | PVC                   |
| Arm thickness [mm]: | 0,3 gradually to 1,05 |
| Arm width [mm]      | 24                    |
| Length [mm]         | 2500                  |



Issued on 28.1.2021.

The updated technical sheet supersedes the previous version. The stated dimensions of the product are nominal and may range within the allowable manufacturing tolerances.